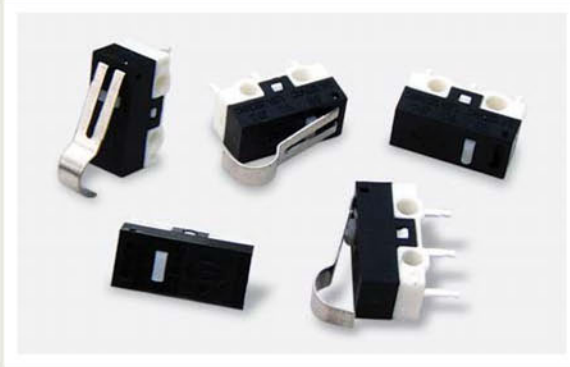




SERIES SS SWITCHES

SNAP ACTION SWITCHES - SUB-MINIATURE



SPECIFICATIONS

Contact Rating: Gold .4VA max. @ 20 VDC or VAC Max.
 0.1 Amps @ 5 VDC
 1.5 Amps @ 250-UL
 3 Amps @ 125-UL

Life Expectancy: 10,000 cycles typical

Mechanical Life: 1,000,000 cycles typical

Insulation Resistance: 100 MΩ min. @ 500V DC

Dielectric Strength: 500VDC

Operating Temperature: -25° C to 75°

Operating Force: See Chart

MATERIALS

Switch Housing: High Temperature PBT (UL94 V-0)

Actuator Button: High Temperature PBT (UL94 V-0)

Terminals: Copper Alloy, plated

Contacts: Silver Alloy (std) or Gold

Spring: Spring Steel

FEATURES & BENEFITS

- ▶ Subminiature package size
- ▶ Designed for higher reliability applications

APPLICATIONS/MARKETS

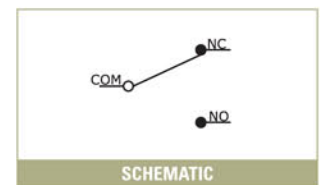
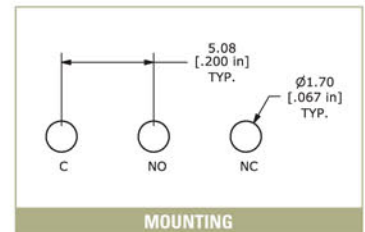
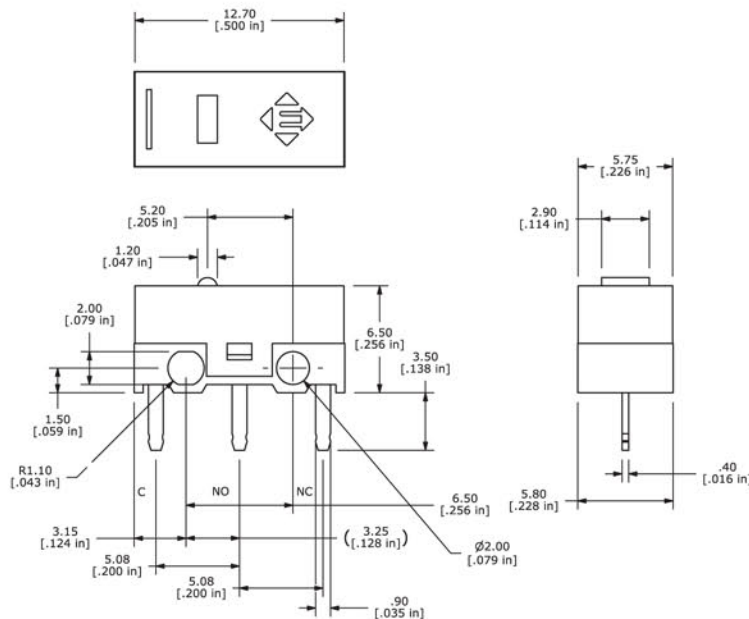
- ▶ Appliance
- ▶ Timing controls
- ▶ Vending machines
- ▶ Gaming
- ▶ Industrial controls

HOW TO ORDER

SERIES	OPERATING TEMP.	CURRENT RATING	ACTUATOR	OPERATING FORCE	TERMINATION	CIRCUIT
SS	075 = 75C	03 = 3A, 125VAC 1.5A, 250VAC Q1= 0.1A, 125VAC R1=0.4VA	00 01 02 03	See Chart	P1 = PCB Pins R1 = PCB Retention V1 = PCB Right Angle V2 = PCB Left Angle S1 = Solder Lug	A = SPDT

Example Ordering Number
 SS-075-03-01-F030-P1-A

Specifications subject to change without notice.





SERIES SS SWITCHES

SNAP ACTION SWITCHES - SUB-MINIATURE

TACT SWITCHES

NAVIGATION SWITCHES

PUSHBUTTON SWITCHES

TOGGLE SWITCHES

ROCKER SWITCHES

SLIDE SWITCHES

SNAP-ACTION SWITCHES

DIP SWITCHES

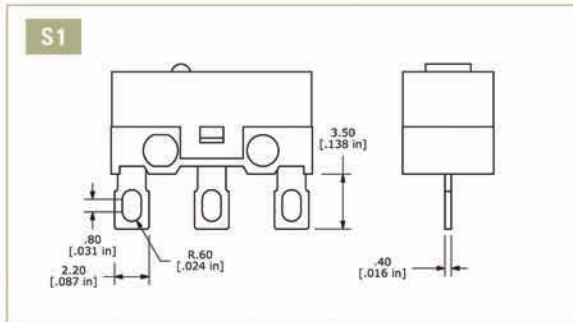
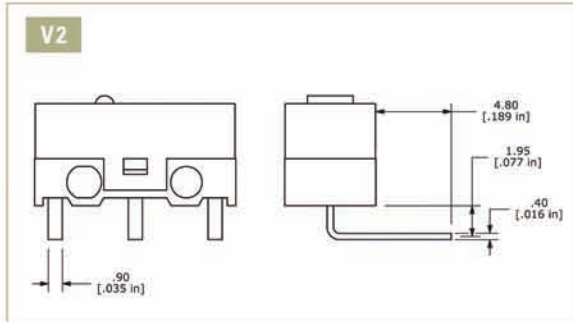
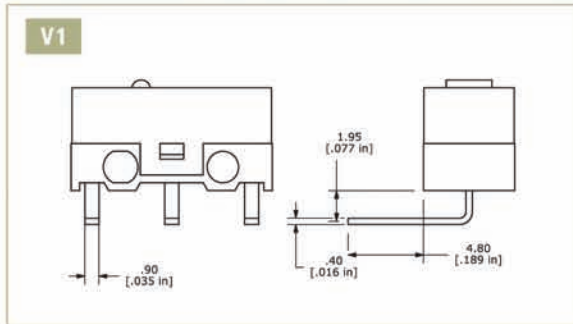
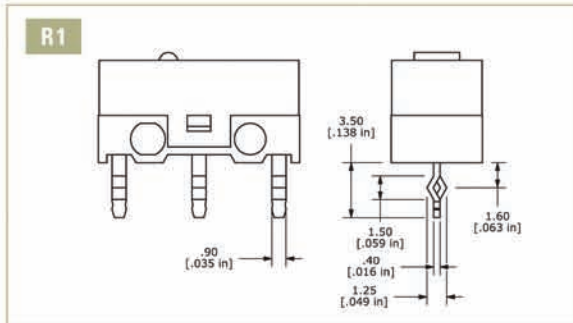
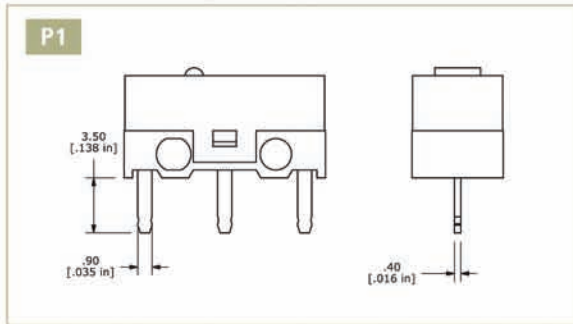
KEYLOCK SWITCHES

ROTARY SWITCHES

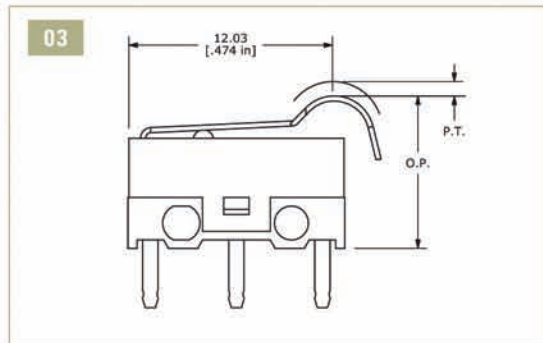
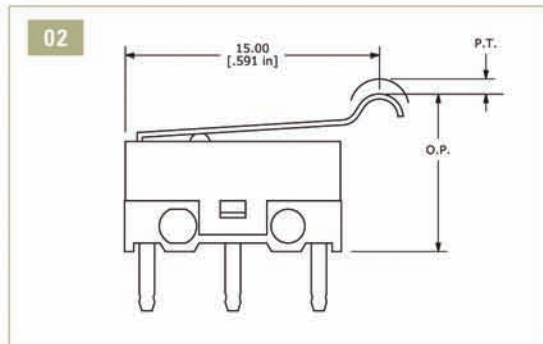
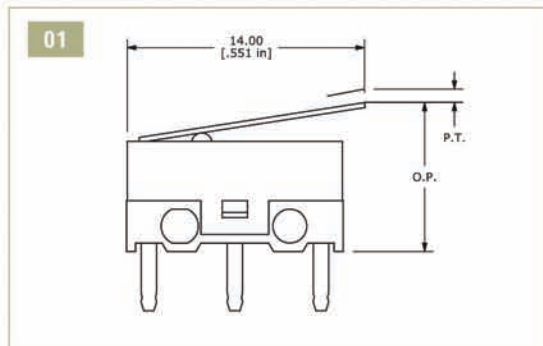
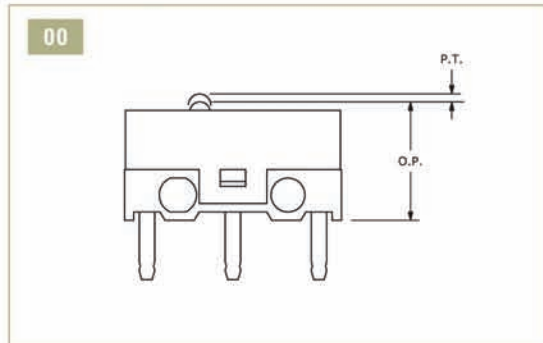
DETECTOR SWITCHES

CAP. OPTIONS

TERMINATION OPTIONS



ACTUATOR OPTIONS



PT= Pretravel OP= Operating Point

ACTUATOR AND OPERATING FORCE CHART						
Actuator	Actuation/Return Force				Pre-Travel	Operating Point
00	070 / 25	090 / 40	110 / 50	130 / 60	0.35 Max	7.0 ± 0.2
01	020 / 5	030 / 10	035 / 10	040 / 15	1.60 Max	8.80 ± 0.8
02	015 / 5	025 / 10	030 / 10	035 / 10	2.00 Max	10.80 ± 0.8
03	020 / 5	030 / 10	040 / 15	050 / 15	1.35 Max	9.65 ± 0.8

Mouser Electronics

Authorized Distributor

Click to View Pricing, Inventory, Delivery & Lifecycle Information:

E-Switch:

[SS0750301F015V1A](#) [SS0750301F040P1A](#) [SS0750303F050S1A](#) [SS0750300F070P1A](#) [SS0750303F050P1A](#)
[SS0750303F030P1A](#) [SS0750301F020P1A](#) [SS0750300F070S1A](#) [SS0750301F040S1A](#) [SS-24F08-G\(A\)5-#613](#)
[SS0750300F070V1A](#) [SS0750300F130P1A](#) [SS0750300F130V1A](#) [SS0750302F035S1A](#) [SS075Q101F040S1A](#)
[SS075Q102F035V2A](#) [SS075Q103F020V1A](#) [SS075Q103F050P1A](#) [SS075Q103F050S1A](#) [SS0750302F030P1A](#)
[SS075Q101F030P1A](#) [SS075Q102F015P1A](#) [SS075Q103F030V2A](#) [SS075Q103F040V1A](#) [SS075R103F050P1A](#) [SS-](#)
[22H04-G\(A\)3](#) [SS075Q100F070P1A](#) [SS075Q102F035V1A](#) [SS0750301F040V1A](#) [SS-22F06-G5-A](#)
[SS0750301F020S1A](#) [SS075Q102F025S1A](#) [SS0750303F020V2A](#) [SS0750302F015V1A](#) [SS0750303F050V2A](#)
[SS0750301F040V2A](#) [SS-22F18-T13](#) [SS0750301F030P1A](#) [SS075R101F020S1A](#) [SS075R100F130S1A](#) [SS-12E01-](#)
[G\(B\)6-00](#) [SS-12F20-G\(A\)5](#) [SS-23E01-T17](#)